



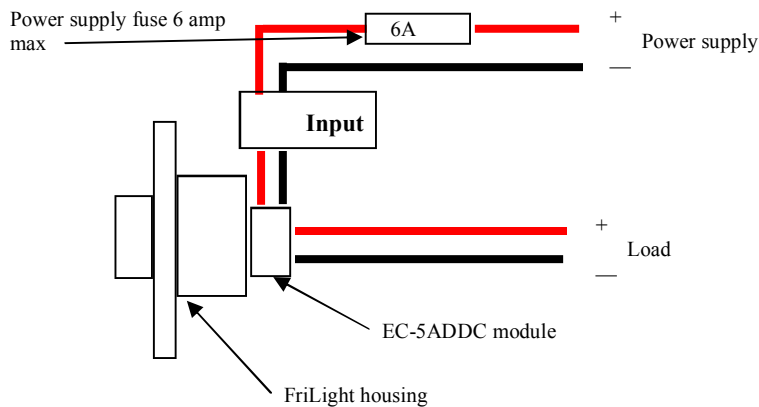
DC Dimmer Module EC-5ADDC

Functional description

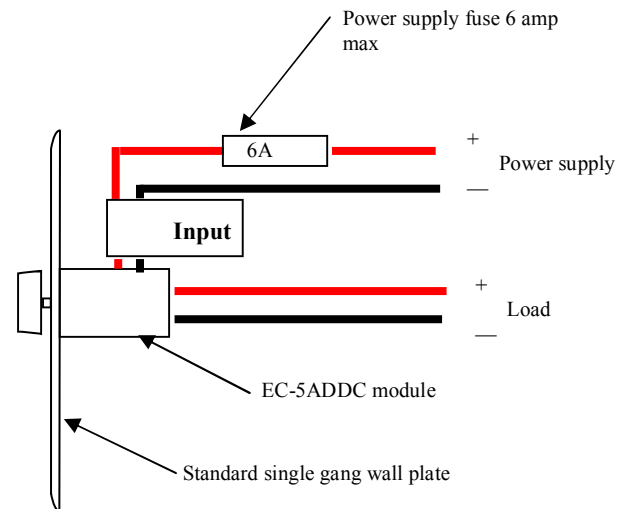
The EC-5ADDC is a 5 amp, 9 to 30 volt DC, pulse width modulation, potentiometer controlled, DC dimmer intended for LED and low wattage halogen applications. The EC-5ADDC was designed to control resistive loads only and will be damaged if used to control inductive loads (i.e. motor speed etc). Great care was taken during product development to optimize the PWM period to eliminate halogen filament ringing and LED flicker while minimize switching losses to maximize efficiency.

Specifications

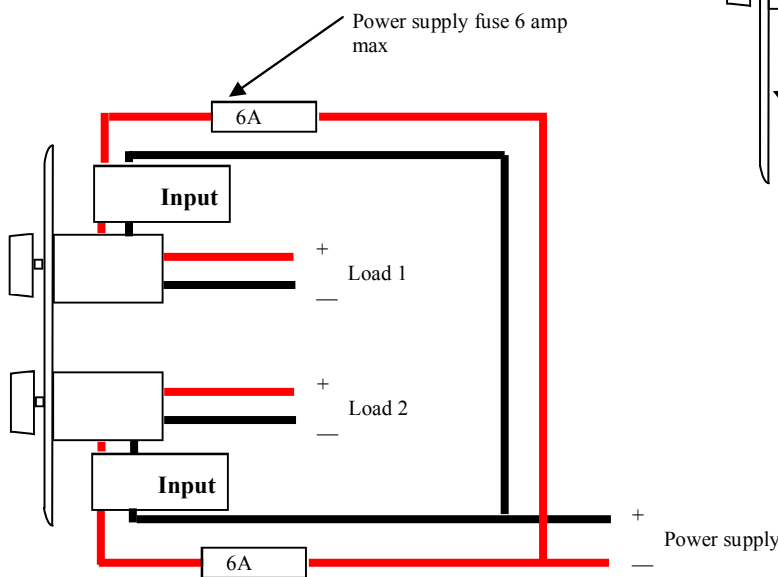
Supply voltage	12 or 24 vdc nominal	9vdc min. 30vdc max.
Power	60 watts 120 watts	5 amps at 12vdc 5 amps at 24vdc



Single module in FriLight Housing



Single module in wall plate



Dual module in wall plate